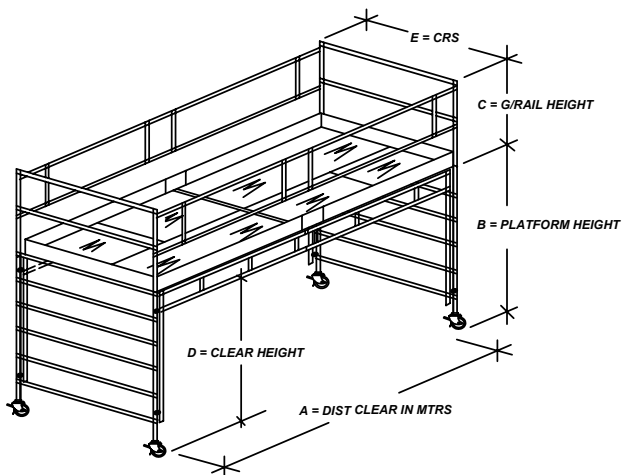


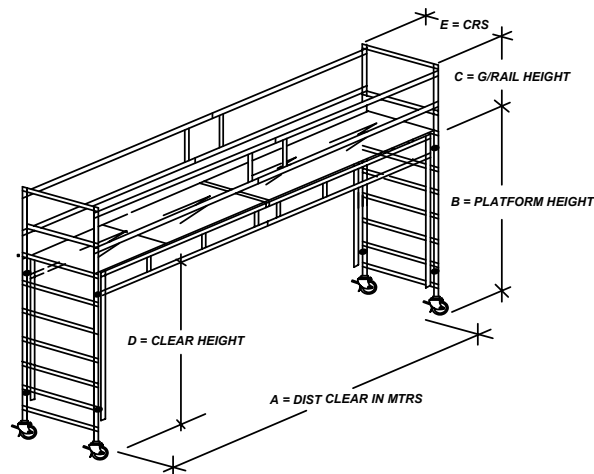
DEALING DESK ENQUIRY FORM

TYPE A DOUBLE WIDTH TYPE FOR SPANS OF 3.6 M AND OVER



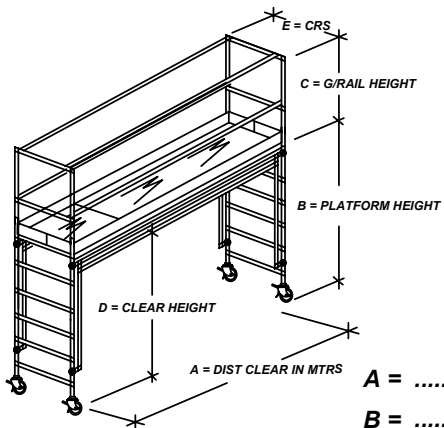
A =
 B =
 C =
 D =
 E =

TYPE B SINGLE WIDTH TYPE FOR SPANS OF 3.6 M AND OVER



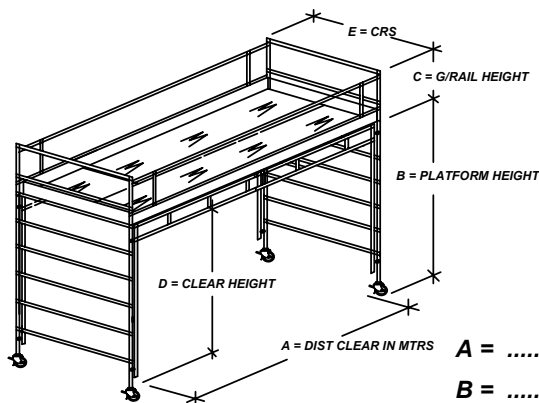
A =
 B =
 C =
 D =
 E =

TYPE C SINGLE WIDTH TYPE FOR SPANS UP TO 3.5 M



A =
 B =
 C =
 D =
 E =

TYPE D DOUBLE WIDTH TYPE FOR SPANS UP TO 3.5 M



A =
 B =
 C =
 D =
 E =

ADDITIONAL NOTES

CUSTOMER

DATE

CONTACT TEL NO

SPECIAL NOTE

PLATFORMS CAN BE MADE UP TO 4.5 M LONG IF REQUIRED. IN THESE CASE STORAGE AND ACCESS TO SITE SHOULD BE CONSIDERED BEFORE QUOTING.